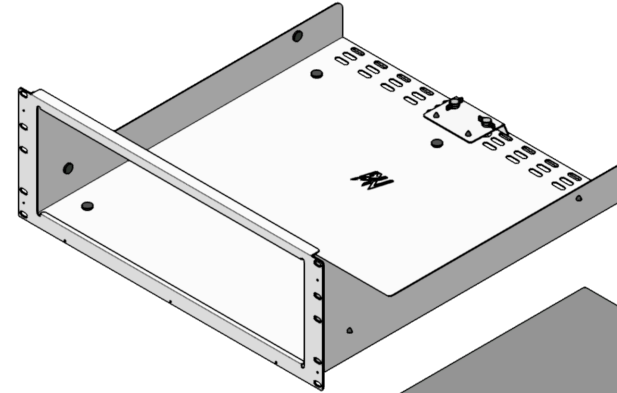
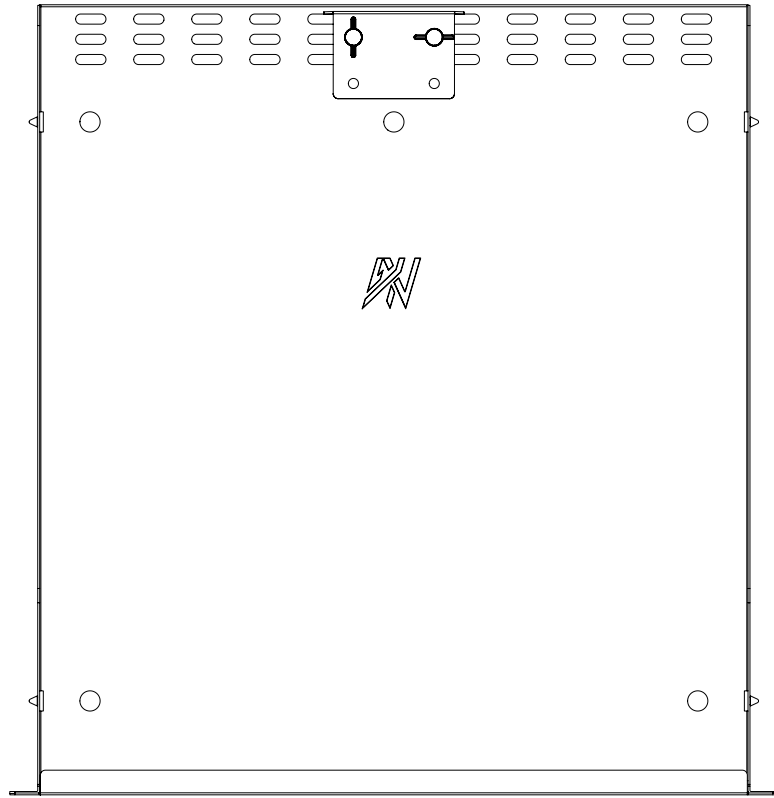
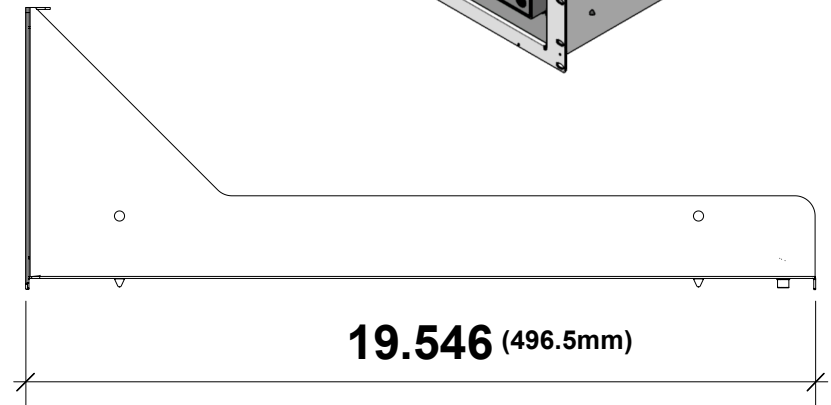
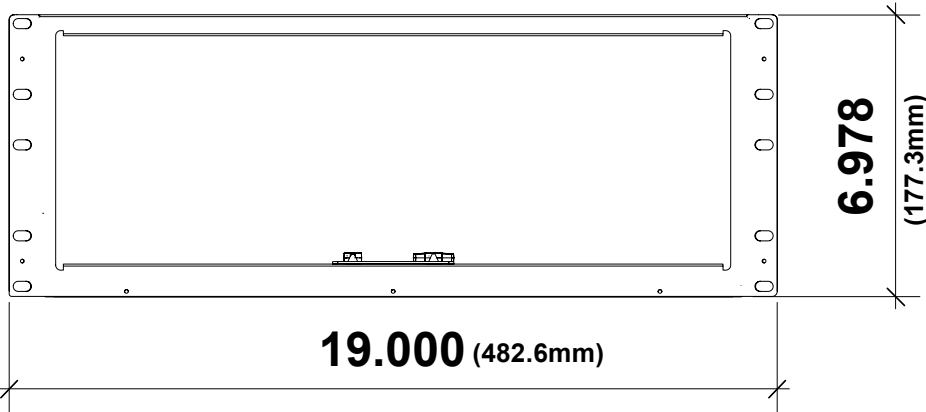
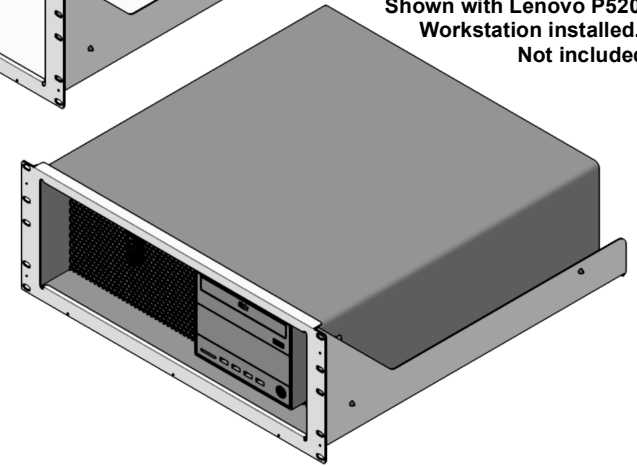


TS-FXPW-4U

Capacity: 1 Lenovo P5 Workstations (P520, P620, Or Similar)
 Weight: 6.92 Lbs (3.14kg)
 Rack Space: 4U Rack Height
 Packed Dims: 24x24x8~13lbs(5.8kg)
 Rail Mount: Front rail mount only
 10-32 rack screws and clamp hardware included.



Shown with Lenovo P520 Workstation installed. Not included.



<https://www.mk1manufacturing.com/>

PART: TS-FXPW-4U (REV01)

DRAWN BY: MVC

04/13/2023

FILE: TS-FX-PW.VXW

©2023 MK1 Studio, LLC